

Name: LEIGH CHEESEMAN

Date: 23/24 JAN 2010 Event: STOCK SHOOTOUT

Driver: KEILOK

Track: LEVOR

State: VICTORIA

Shock Indoor Tight Smooth Hard Packed Blue Groove Wet Low Bite High Bite

Conditions Outdoor Open Rough Loose/Loamy Dry Dusty Med Bite Other

Front Suspension

Toe: +1° degree

Ride Height: 24mm

Damper: -1°

Caster: STD

Sway Bar: NIL

Dil: 35

Piston: RED

Spring: ORANGE

Limiters: 1

Spindle Height: STD

Axle Spacer: STD

Steering Type: RACK

Jump Steer: STD

Damper Link: 2A

Shock Location: 3 OUTSIDE

LA: LONG

Front Wing: NIL

Rear Suspension

Toe: STD

Pivot Support: STD

Ride Height: 23mm

Damper: -1°

Rear Hub Spacing: REAR

Drive Shafts/Outdrives: STD

Sway Bar: NIL

Dil: 20

Piston: BLACK

Spring: WHITE

Limiters: STD

Damper Link: 7B

Shock Location: 3 MIDDLE

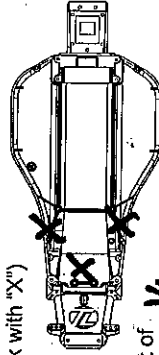
LA: LONG

Wing Position/Mount: MIDDLE

Body & Wing Type: STD BODY, 3 CONTACTS 6.5 INCH

Battery Position: FORWARD

Weight Placement (Mark with "X")



Weight of this piece: 1/4 oz.

Tires: Type Compound

Front: silver top silver

Rear: blk bar red

Notes:

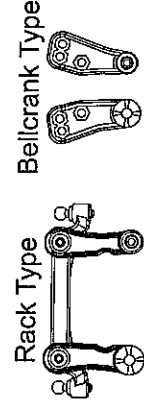
Additive

NIL

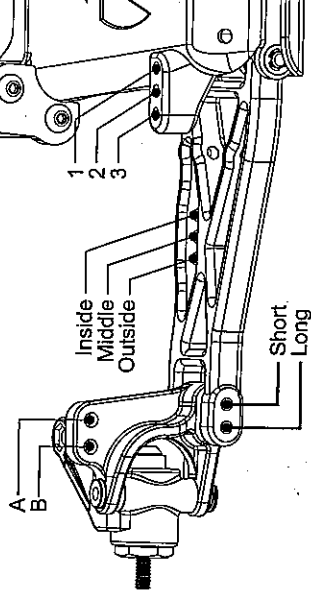
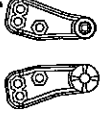
Motor: 17.5

Spur: 12

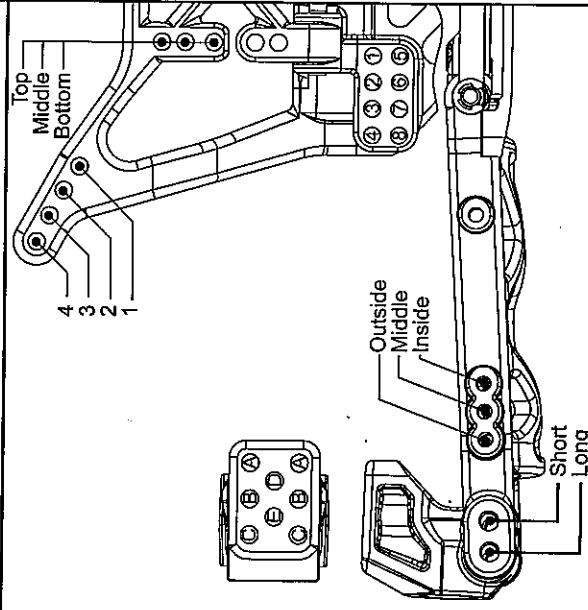
Pinon: 37



Bellcrank Type



Notes: LONGER BALL ENDS FITTED TO CHECK BOTTOMS.



Notes: